

Assembly Instructions



i IMPORTANT NOTICE!

1. Please do not sit, climb or lean on the product.
2. This is not a child's toy, adult supervision is required for children playing this game.



No children in assembly area

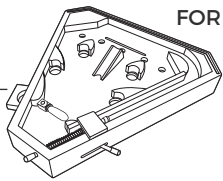
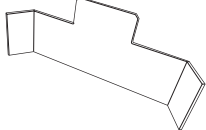
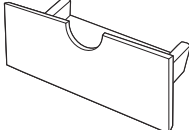


Keep away from pets in assembly area

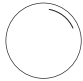
⚠ WARNING

Adult Assembly Required.
CHOKING HAZARD - This item contains small parts and small balls. Not suitable for children under 3 years.

PARTS IDENTIFIER

PART NUMBER	1	FOR FIG. 1	FIG NUMBER
PART		x1	QUANTITY
PART NAME	Baseball Platform		
	2	FOR FIG. 1	
		x1	
	Back Panel		
	3	FOR FIG. 1	
		x1	
	Playfield Panel		

ACCESSORIES

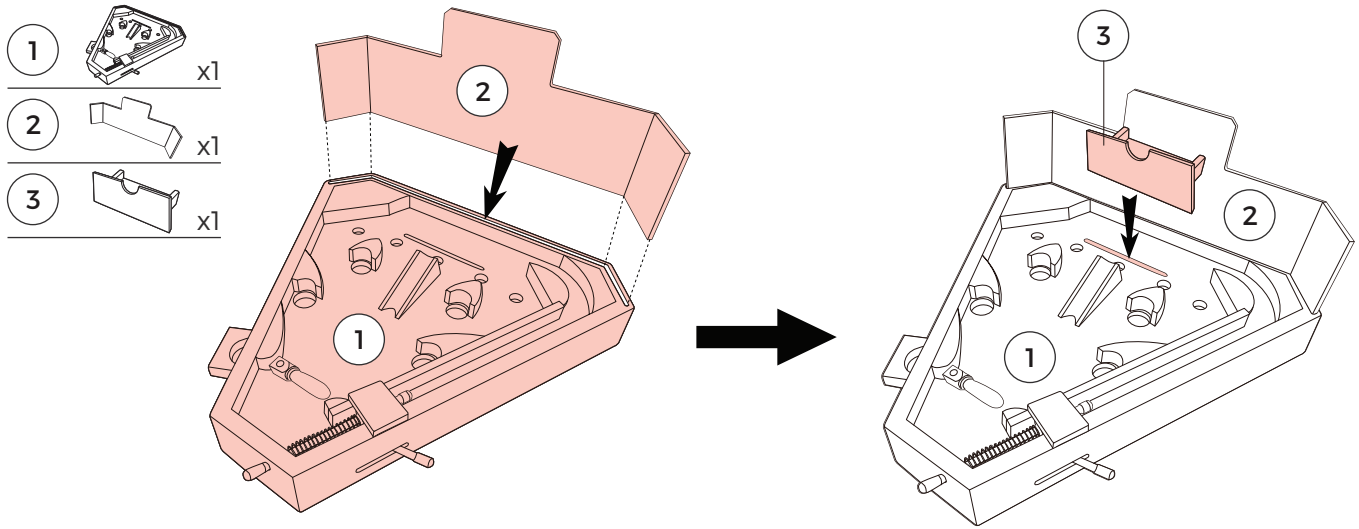
4		x2
	Ball	

BEFORE ASSEMBLY

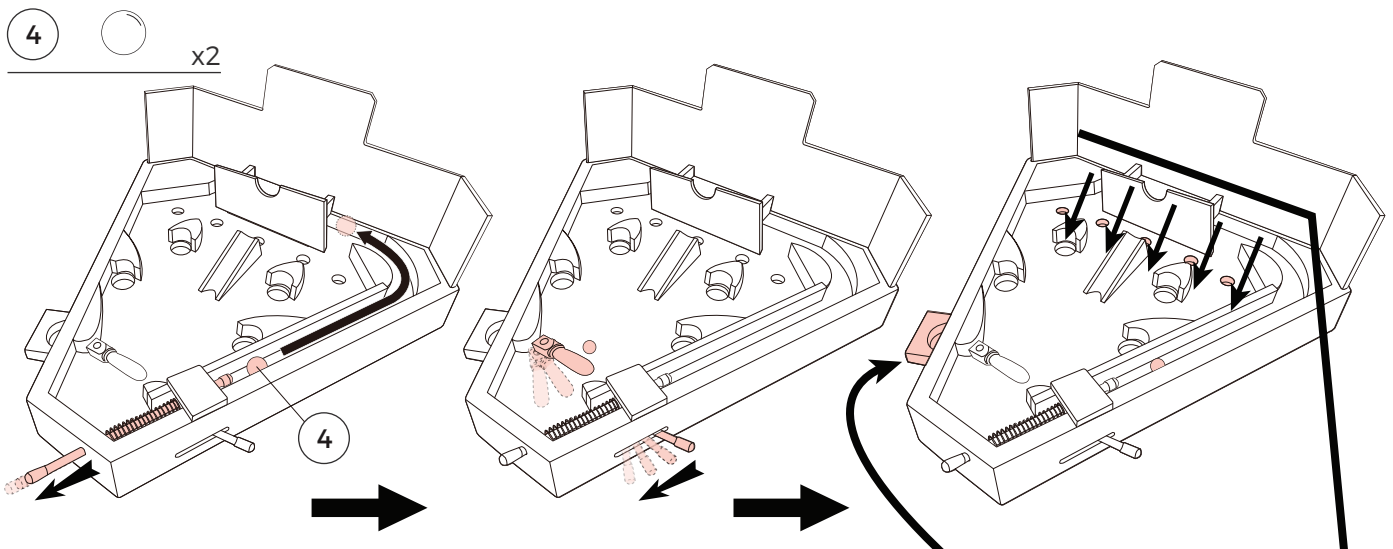
1. Find a clean, level place to begin the assembly of your product.
2. Verify that you have all listed parts as shown on the part list pages.

ASSEMBLY

FIG. 1



GAME DESCRIPTIONS



Note: During play, the Ball will either fall or rest in the various holes throughout the game. Once the play is over, place the ball back into the shooter for another play.





www.medalsports.com